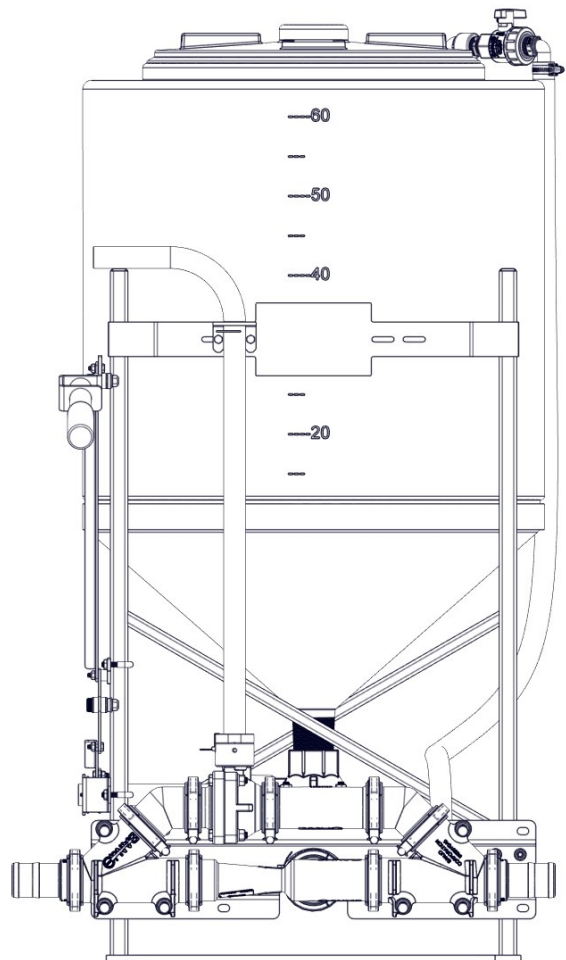
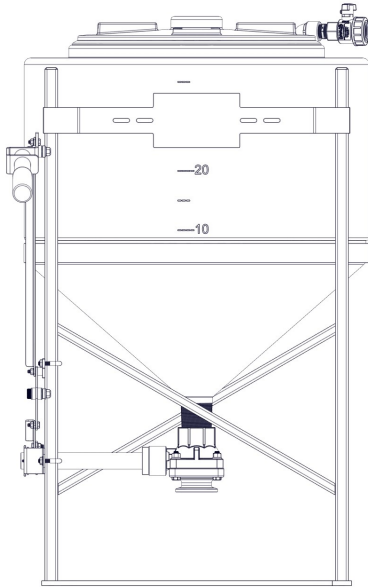


OWNER'S MANUAL

Inductors

(STS - Smart Transfer System for chemical and surfactant induction.)

Models:	STS-40 (5281637)	STS-65 (5281638)
	STS-402E (5281633)	STS-652E (5281635)
	STS-403E (5281634)	STS-653E (5281636)



General Information

Thank you for purchasing this product. The purpose of this manual is to assist you in operating and maintaining your newly purchased product.

BEFORE RETURNING THIS PRODUCT FOR ANY REASON, PLEASE CALL

BAKERSFIELD, CA 877-724-2236	COLUMBUS, NE 800-274-1025	DOTHAN, AL 800-227-4098
FARGO, ND 701-280-2862	HOPKINSVILLE, KY 800-637-7172	MANKATO, MN 507-388-6295
NEWTON, KS 800-394-7662	PASCO, WA 800-634-2026	TEMPE, AZ 877-974-7166

If you should have a question or experience a problem with your Ag Spray Product: Visit our website @ www.agspray.com or call the Toll free number above. Our technical support representatives will be happy to help you.

In most cases a customer service rep. can resolve the problem over the phone.

To obtain prompt, efficient service, always remember to give the following information....

- Correct Part Description and/or part number
- Model number and Serial Number

Part descriptions and numbers can be obtained from the illustrated parts list section(s) of this manual.



WARNING: To reduce the risk of injury, the user must read and understand the operator's manual before using this product.



WARNING: Cancer and Reproductive Harm
www.P65Warnings.ca.gov



www.agspray.com

[5195584

(10/23)]

Retain a copy of your receipt for your unit, as it will be required to validate any warranty service. Products are warranted against manufacturer or workmanship defects for one year from date of purchase for home owner usage and 90 days for commercial usage.

Table of Contents

3-4	Operation & Safety
5-6	Operations Instructions
7	Change Flow Direction
8	Trouble Shooting
9-17	STS Breakdowns
18	STS Slicer Kit
19	STS Jug Rinse Kit
20	STS Jug Puncher Kit
22	Limited Warranty

Important Operation & Safety Information

WARNING

Read and understand **this owner's manual** completely before using the inductor.
Read each **chemical label's instructions** before handling the chemical.

Improper use of the inductor or handling of chemicals could result in serious injury or illness for the operator or nearby persons/animals, or cause damage to the environment.

LISTED BELOW is a summary of safety information of particular importance. See individual sections of this owner's manual for more details.

----- **BEFORE YOU BEGIN** -----



Please read and understand this manual and its instructions and warnings completely before operating the Inductor.

- **Be aware of all safety guidelines, warnings and cautions including those of the pump manufacturer**
- **Read and understand the chemical manufacturer's labels, warnings and instructions**
- **Know and fulfill all state pesticide applicator license requirements**
- **Familiarize yourself and other operators with the inductor's components and how all parts are operated**

----- **General Safety Guidelines** -----



Every year many unnecessary accidents occur do to improper equipment handling and a disregard for safety precautions. You, the operator, can avoid accidents by observing the precautions in this section.

- The operator should be a responsible adult. Do not allow persons to operate this inductor until they have displayed a thorough understanding of inductor safety precautions and operational use!
- All operators must also fulfill state pesticide applicator license requirements
- Never attempt to operate this inductor when under the influence of alcohol or drugs.

----- **Before Operation** -----



- Carefully study and understand the owner's manual
- Read and follow chemical manufacturer's labels, warnings and instructions! A material safety data sheet (MSDS) should be provided by the chemical manufacturer
- To avoid injury from chemical hazards, wear the proper protective clothing. Each chemical manufacturer's clothing requirements are listed under the "Personal Protective Equipment (PPE)" section in the chemical instructions
- Before adding chemicals, have all operators practice operating the Inductor (clean water only) and it's attachments until all operators are completely capable of safe operation



BEFORE SEASONAL USE


- **CHECK and TEST Inductor with water before adding chemical.** Temperature change can cause material fitting expansion/contraction. Serious injury could result from chemical leaks
- **REPLACE** any worn or frayed hoses. Hose failure can result in serious damage
- **INSPECT** pressure gauge. Insure the needle rests at zero when all pressure is relieved in the spray system. Failure to have a properly functioning pressure gauge can result in miss applications of chemical



General Chemical Safety

- **READ and FOLLOW** all chemical label's instructions and warnings
- **AVOID** inhaling, ingesting or coming into contact with any chemicals
- **KNOW** applicable licensing and regulatory requirements for the chemical you plan to use
- **KNOW** emergency procedures before handling chemicals
- **WEAR** protective clothing, eye protection and chemical resistant gloves when filling, using and cleaning the Inductor. Wear additional protective gear, such as facemask or apron, as recommended on the chemical label
- **EXERCISE EXTRA CAUTION** around children or pets. Pesticides are especially toxic to them. Keep Inductor and spray materials away from them at all times
- **DO NOT MIX OR POUR** chemicals in an enclosed, unvented area
- **DO NOT USE** flammable or corrosive chemicals in the Inductor
- **FLUSH** the Inductor with clean water after every use AND before switching chemicals
- **STORE** pesticides in a correctly labeled container and in a secure location
- **MONITOR** the health of operators frequently exposed to pesticides, as recommended by the chemical label or local/federal regulations

 CAUTION	
PERSONAL PROTECTIVE CLOTHING TO BE WORN AT ALL TIMES WHEN HANDLING CHEMICALS	
	
WEAR APPROPRIATE HAND & EYE PROTECTION	

 NOTICE
Gallonage markers on the tank are for reference only. Check calibration before use.

 WARNING
DO NOT STORE OR TRANSPORT WITH LIQUID IN TANK

 WARNING
TOXIC CHEMICAL HAZARD To prevent serious injury or death:
<ul style="list-style-type: none"> • Handling Agriculture chemicals can be hazardous. • Read & follow the chemical manufacturers' instructions regarding the proper handling procedures and safety attire for the chemical being used.

Installation & Basic Operation

Models STS-402E (5281633), STS-403E (5281634), STS-652E (5281635) and STS-653E (5281636) are equipped with Eductor Venturi plumbing kits and are designed to be plumbed on the output or pressure side of your transfer pump. DO NOT reduce or restrict flow after the Venturi. Restriction can cause the Eductor Venturi to not function correctly.

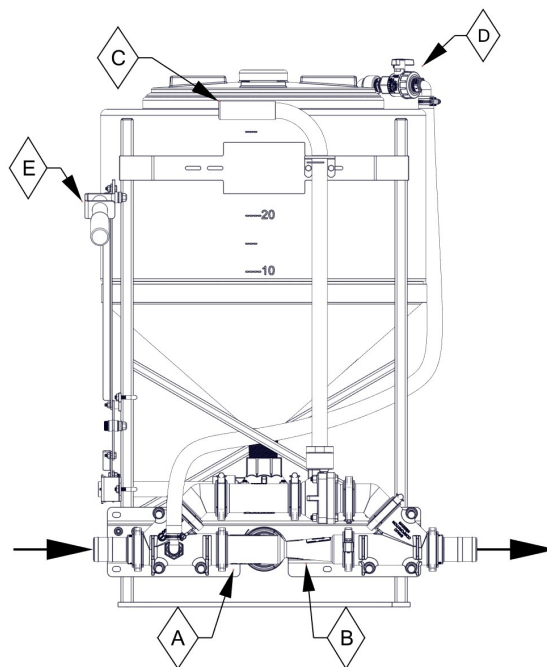
Models STS-40 (5281637) and STS-65 (5281638) are designed to go to the suction or inlet side of the transfer pump or can be plumbed in as a second tank for one of the above Eductor Venturi systems.

Installation:

1. Identify the STS System you have and determine an installation location.
2. Note product flow direction and determine if plumbing needs to be reversed. Systems with a Venturi Eductor must be plumbed so the fluid flow enters from the large side (A) of the Venturi and exits through the smaller end (B).
3. *For installations where the plumbing needs to be reversed for proper flow direction, see page 7 for details.
4. Mount the STS base to a solid surface utilizing the predrilled holes in the stand base.
5. Connect plumbing to inlet and outlet.

Start up Test Procedure:

1. Before use, check the plumbing with water to insure no leaks and all fittings and gaskets are tight.
2. Make sure Bypass Valve (C) is open, bypass valve (C) is open when handle is perpendicular or cross ways to plumbing, IF Equipped and Tank Rinse Valve (D) is closed. Tank rinse valves are OPEN when the handle is parallel or inline with fluid flow and OFF when the handle is perpendicular or facing opposite of fluid flow.
3. Make sure the inductor tank product handle (E) is closed. The valve is Closed when the handle is in the UP or raised position.
4. Open STS Inductor Tank Lid.
5. Start pump, run at idle (check for leaks).
6. Check inside of STS tank to see if any liquid is in tank. If so, make sure all rinse valves and product handle are closed.
7. Close Bypass Valve, IF Equipped, slowly. Check for leaks.
8. Open STS rinse valve (D) to start water filling in the STS Tank.
9. Slowly increase RPM of pump to MAX.
10. Once STS Tank is about 1/2 full, open discharge hose.
11. Open STS Product Valve (E) by pressing down on product handle.
12. Close Rinse Valve (D).
13. Make sure the product level in the STS tank is declining. If not, verify Venturi Eductor is plumbed in the proper direction. Make sure engine is at Max RPM. Make sure no restriction in discharge hose/plumbing.
14. Once STS tank is empty, close Product Valve Handle (E). By lifting up on the handle.
15. Open Bypass Valve Handle (C) to resume full product flow, IF Equipped.
16. Idle engine down.
17. Close discharge valve.
18. Shut pump off.
19. STS Inductor System is Ready to Use.



Basic Operation:

Once startup is complete, the STS is ready to use. Follow the basic operation steps.

1. Make sure STS product valve handle is in the closed or raised position and the bypass valve handle is closed or parallel to plumbing.
2. Start pump - set throttle at 3/4 to full throttle. (Note: You should hear suction noise coming from Venturi).
3. Open tank lid and add product to be inducted. When doing dry products, it is recommended to open the tank rinse valve and add solution to get product into a slurry.
4. Make sure discharge hose is open and transfer pump is at full throttle.
5. Open STS product handle to start product introduction.
6. Optional - Jug rinse, place jug on jug rinse option making sure it is firmly in place. Open Jug rinse valve to rinse jug. (Note: if jug is not properly placed on rinse option, operator may get sprayed with rinse solution. Close rinse valve when jug rinse is complete).
7. Open tank rinse valve to rinse STS inductor tank.
8. Close product valve handle when complete.
9. Open bypass valve to increase fill rate.
10. When tank gets close to full, idle transfer pump engine back to slow idle.
11. Once tank is full, close discharge valve and shut engine off.

Multiple Tank Installation:

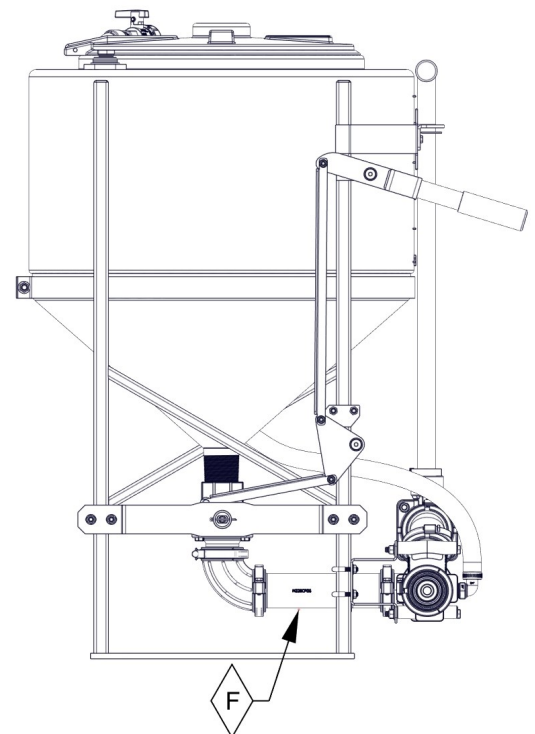
Your STS Inductor System can be plumbed in multiple tank configurations.

For Suction Side of Pump;

- Plumb inline with a Tee under each tank with the STS Inductor tanks placed between the product tank and the transfer pump.

For Pressure Side of Pump with Eductor Venturi Plumbing;

1. Locate the manifold 6" coupling (F) under the STS Inductor.
2. Replace the manifold 6" coupling (F) with a Manifold Tee (M220TEE).
3. Connect STS-40 (5281637 or STS-65 (5281638) to the open side of the M220TEE.
4. Once connected, you can draw from either tank or both at the same time.

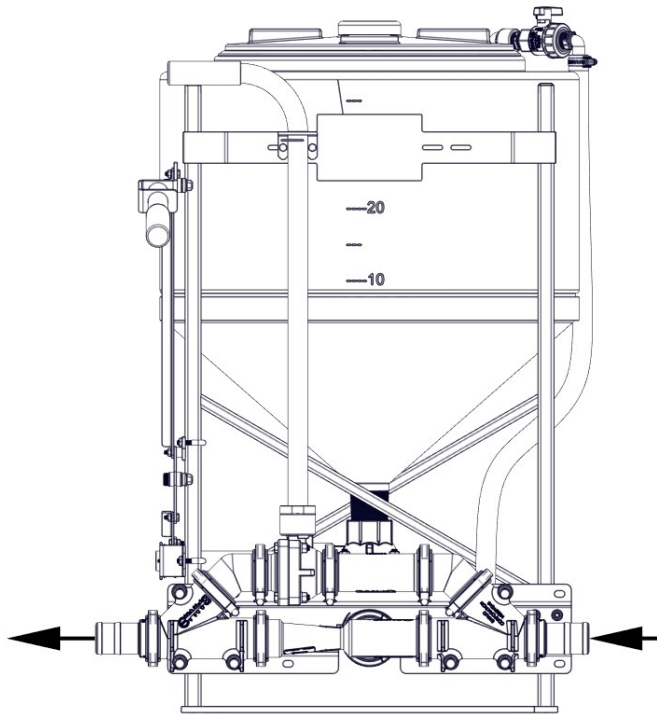


Flow Orientation:

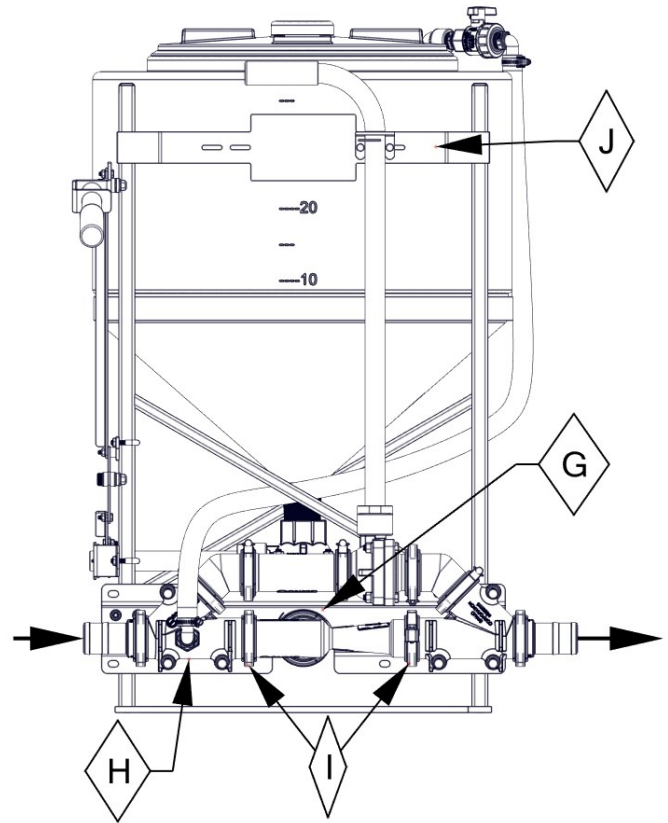
The STS Inductor System is designed to accommodate either Right or Left flow direction.

To change flow direction:

Left Flow Direction



Right Flow Direction

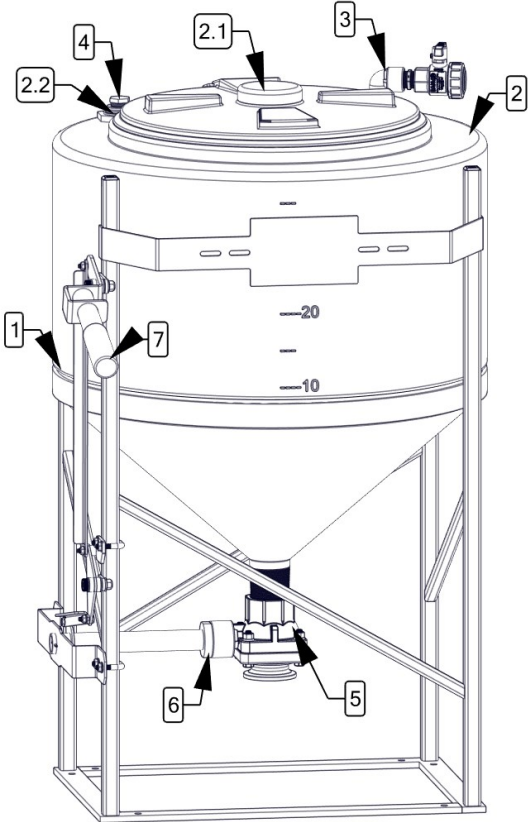


1. Loosen and remove Manifold Clamp (G) from Eductor Venturi Inlet.
2. Loosen and remove the 6 bolts securing the plumbing to the stand bracket.
3. Loosen and remove the 3/4" hose and clamp (H) for the tank rinse from the plumbing system.
4. Loosen and remove the two bolts (J) that secure the bypass handle to the stand.
5. All components should now be free. Rotate plumbing 180°.
6. Loosen the Manifold clamps (I) on both ends of the Eductor Venturi, just enough so that it's loose and inlet can be rotated 180°.
7. Hand tight, bolt the plumbing back to the stand bracket.
8. Hand tight, bolt the Bypass Valve Handle on the opposite side of the logo plate.
9. Reconnect the Eductor Venturi to the tank outlet coupling, making sure the gasket is in proper place for sealing, tighten the manifold clamp (G).
10. Tighten manifold clamp (I) on the Eductor Venturi.
11. Tighten 6 bolts that secure plumbing to the stand.
12. Tighten Bypass handle bolts (J) to stand.
13. Reinstall Tank Rinse 3/4" hose and clamp.

Trouble Shooting

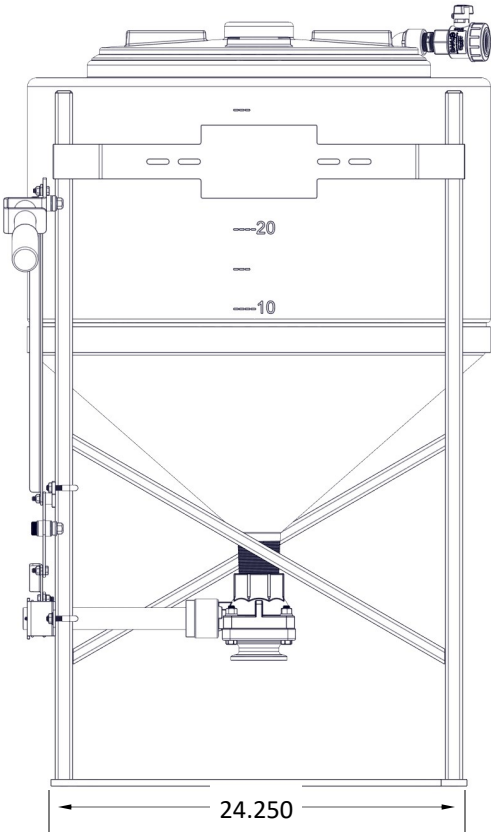
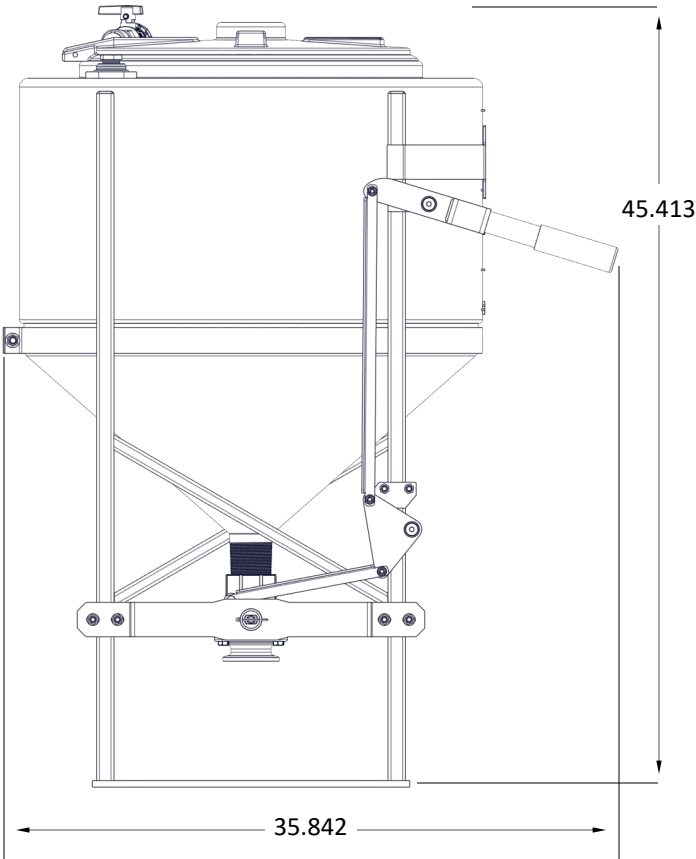
Issue	Cause	Solution
Little or No Suction	- Direction of flow to Eductor Venturi backwards	- Reverse the plumbing (See Page 7)
Tank does not empty or gets fuller	- Restriction after the Eductor Venturi - Pump is running to slow, not pumping enough to create Venturi suction - Bypass valve is open	- Make sure the discharge valves are all the way open and no restrictions - Increase Pump Engine to Max RPM - Close bypass valve by rotating bypass valve handle so it's parallel to plumbing
Pump Cavitating	- Pump sucking air, Vortex in STS	- Make sure Anti-Vortex blade is properly installed in the STS Inductor outlet
Pump Engine Surges	- Supply tank valve closed	- Close STS Inductor Product Valve Handle by pulling up when the tank is empty - Open supply tank valve and make sure no obstructions from supply tank
Granular product will not Induct or Inducts slowly	- Dry product is sticking together and needs to be in slurry form - Pump is running to slowly to create a good vacuum	- Open tank rinse valve and add fluid to create slurry liquid - Make sure pump engine is at Max RPM
Valve stem is leaking	- Bolt under handle extension loose	- Remove handle extension and tighten valve stem bolt

Breakdown - STS-40 (5281637)

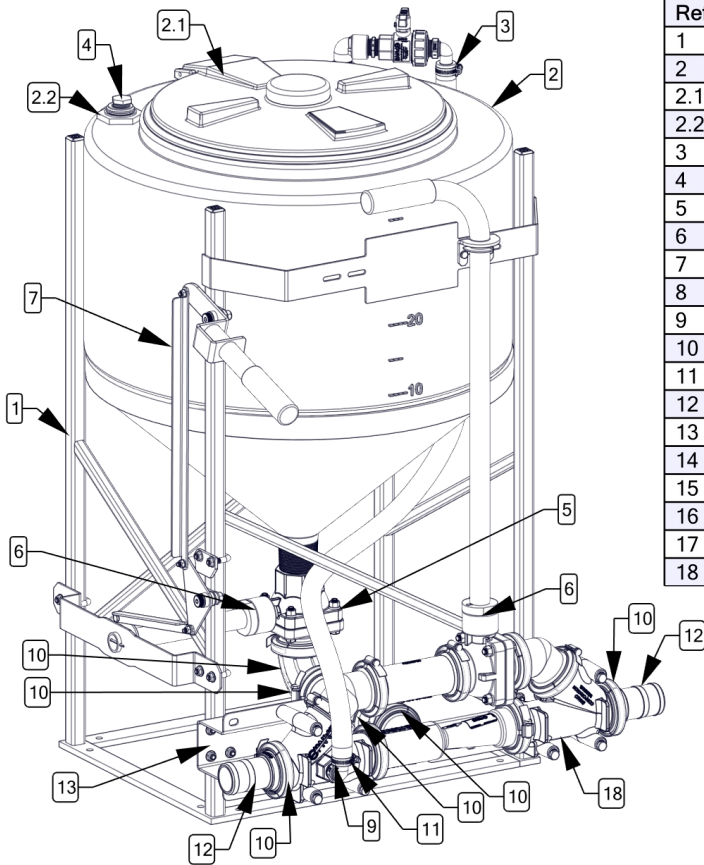


Ref. #	Part #	Description	Qty
1	5281631	40-65 Inductor Strand Assembly	1
2	5169352	40 Gallon Inductor Tank w/Fittings & Hinged Lid	1
2.1	62532	16" Hinged Lid	1
2.2	5273736	3/4" Double-Threaded Bulkhead Fitting	2
3	5281625	Eductor Wash Back Kit	1
4	5102071	Poly Pipe Plug, 3/4" MNPT	1
5	MVS220FP	Banjo 2" Full Port Stubby Valve, Flng x 2" NPT	1
6	V20153138	Banjo 2" Full Port X 1 3/8" Handle Riser	1
7	5281632	Inductor Lower Valve Handle Extension	1
8	5037976-PRF	Anti Vortex Plate	1

5281625: See Page 15 for parts breakdown
 5281632: See Page 16 for parts breakdown

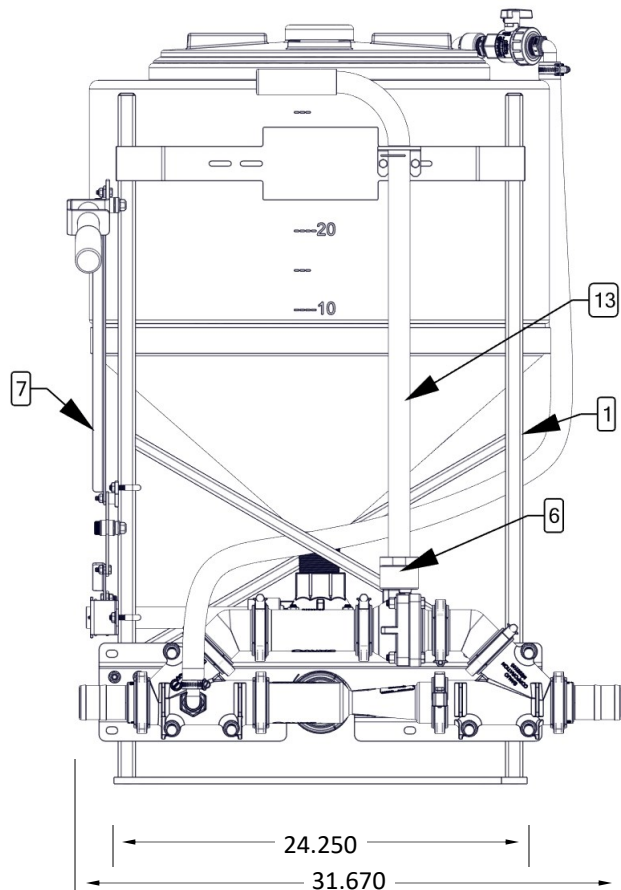
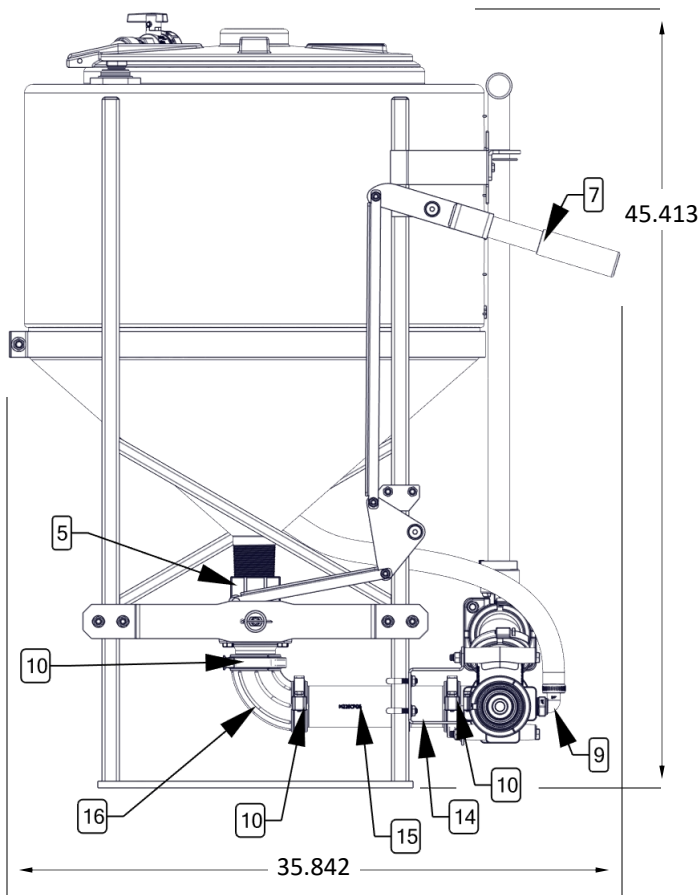


Breakdown - STS-402E (5281633)

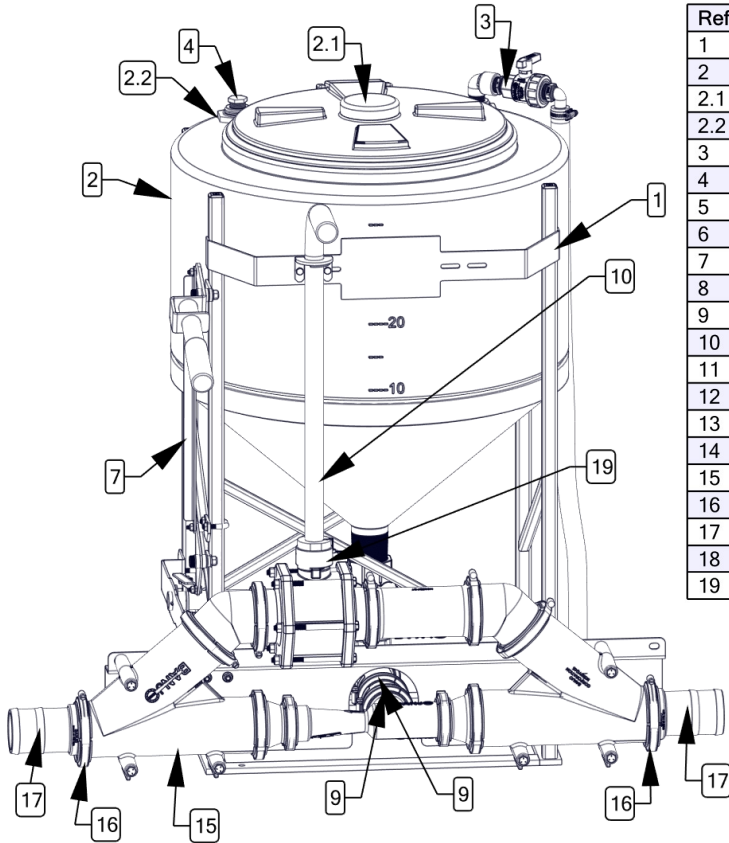


Ref. #	Part #	Description	Qty
1	5281631	40-65 Inductor Stand Assembly	1
2	5169352	40 Gallon Inductor Tank w/Fittings & Hinged Lid	1
2.1	62532	16" Hinged Lid	1
2.2	5273736	3/4" Double-Threaded Bulkhead Fitting	2
3	5281624	Eductor Wash Back Kit	1
4	5102071	Poly Pipe Plug, 3/4" MNPT	1
5	MVS220FP	Banjo 2" Full Port Stubby Valve, Flng x 2" NPT	1
6	V20153138	Banjo 2" Full Port x 1 3/8" Handle Riser	2
7	5281632	Inductor Lower Valve Handle Extension	1
8	5037976-PRF	Anti Vortex Plate	1
9	5010333	3/4" MPT x 1" Hosebarb 90° Elbow	1
10	5051138	220 Series Manifold Flange Clamp - Worm Screw	6
11	5051141	M12 Hose Clamp 1/2"-1 1/4"	1
12	5068012	Banjo 2" Full Port Coupling, 220 Flange x HB	2
13	5281629	Front Valve Mount & Handle Extension	1
14	M220CPG	2" x 2" Full Port Flange x 2 31/32	1
15	M220CPG6	Banjo 2" Full Port Manifold Coupling	1
16	M220SWP90	Banjo 2" Full Port Manifold Sweep Elbow - 90°	1
17	M221G	2" EPDM FP Manifold Gasket w/Rib	6
18	MIS220	Banjo 2" Full Port Manifold Inductor System	1

5281624: See Page 15 for parts breakdown
 5281629: See Page 15 for parts breakdown
 5281632: See Page 16 for parts breakdown
 MIS220: See Page 16 & 17 for parts breakdown

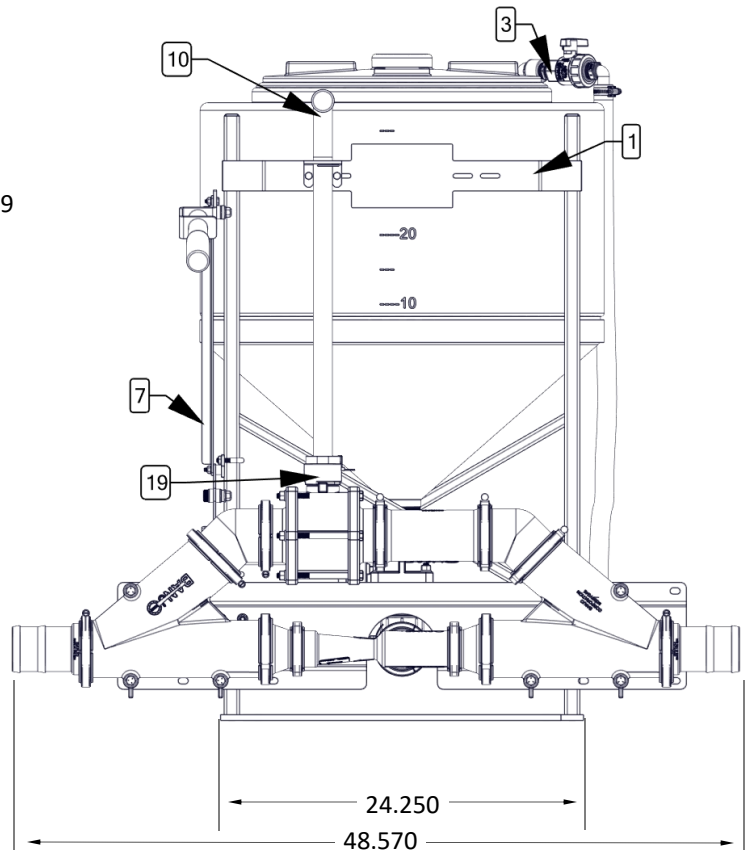
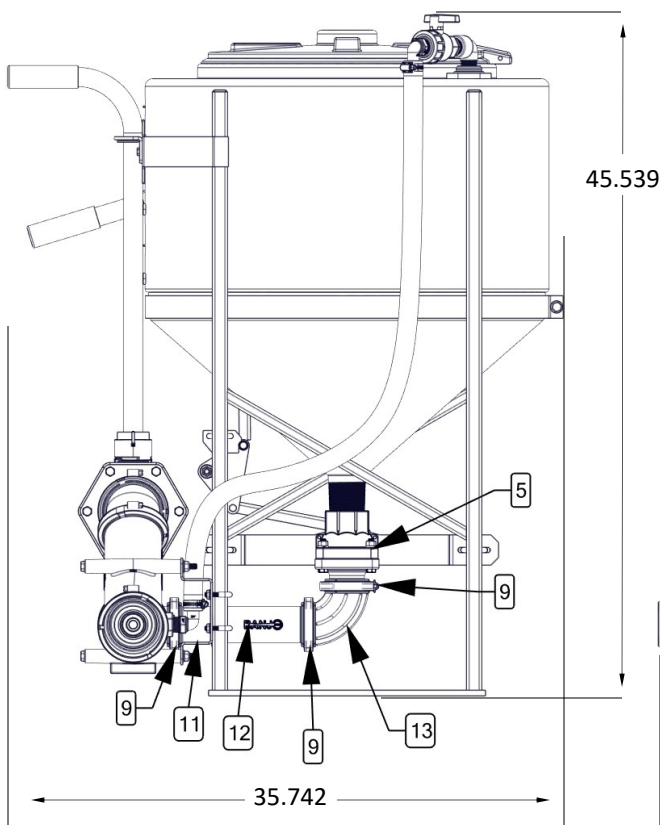


Breakdown - STS-403E (5281634)

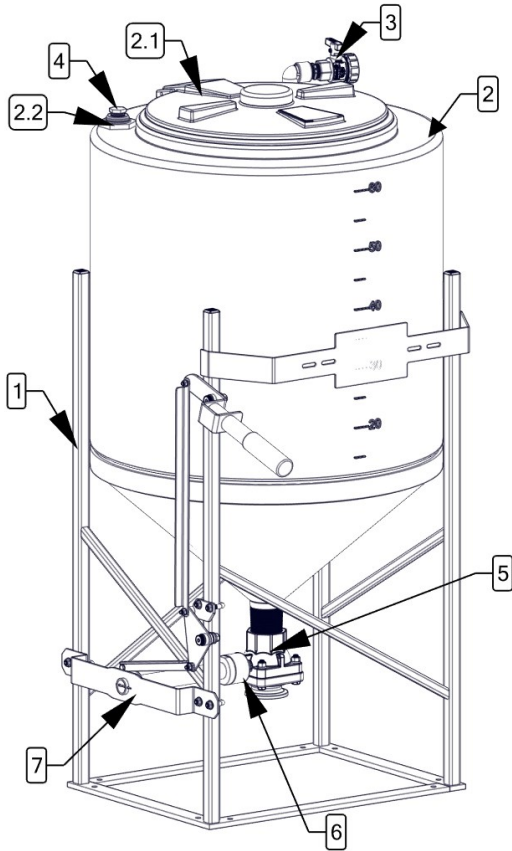


Ref. #	Part #	Description	Qty
1	5281631	40-65 Inductor Stand Assembly	1
2	5169352	40 Gallon Inductor Tank w/Fittings & Hinged Lid	1
2.1	62532	16" Hinged Lid	1
2.2	5273736	3/4" Double-Threaded Bulkhead Fitting	2
3	5281624	Eductor Wash Back Kit	1
4	5102071	Poly Pipe Plug, 3/4" MNPT	1
5	MVS220FP	Banjo 2" Full Port Stubby Valve, Flng x 2" NPT	1
6	V20153138	Banjo 2" Full Port x 1 3/8" Handle Riser	1
7	5281632	Inductor Lower Valve Handle Extension	1
8	5037976-PRF	Anti Vortex Plate	1
9	5051138	220 Series Manifold Flange Clamp - Worm Screw	4
10	5281630	Front Valve Mount & Handle Extension	1
11	M220CPG	2" x 2" Full Port Flange x 2 31/32	1
12	M220CPG6	Banjo 2" Full Port Manifold Coupling	1
13	M220SWP90	Banjo 2" Full Port Manifold Sweep Elbow - 90°	1
14	M221G	2" EPDM FP Manifold Gasket w/Rib	4
15	MIS300	Banjo 3" Full Port Manifold Inductor System	1
16	BJFC300	300 Series Manifold Flange Clamp - Worm Screw	2
17	M300BRB	Banjo 3" Full Port Coupling, 300 Flnge x HB	2
18	M301G	3" EPDM FP Manifold Gasket w/Rib	2
19	V25153138	2" Full Port x 1 3/8" Handle Offset	1

5281624: See Page 15 for parts breakdown
 5281630: See Page 15 for parts breakdown
 5281632: See Page 16 for parts breakdown
 MIS300: See Page 17 for parts breakdown



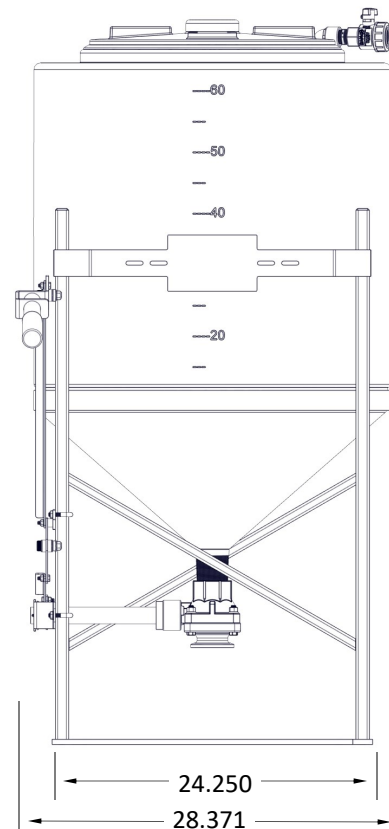
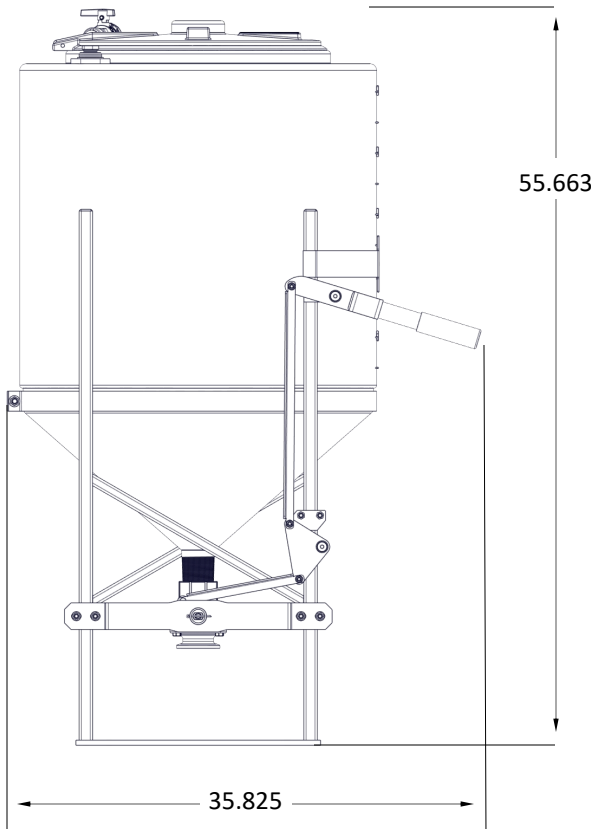
Breakdown - STS-60 (5281638)



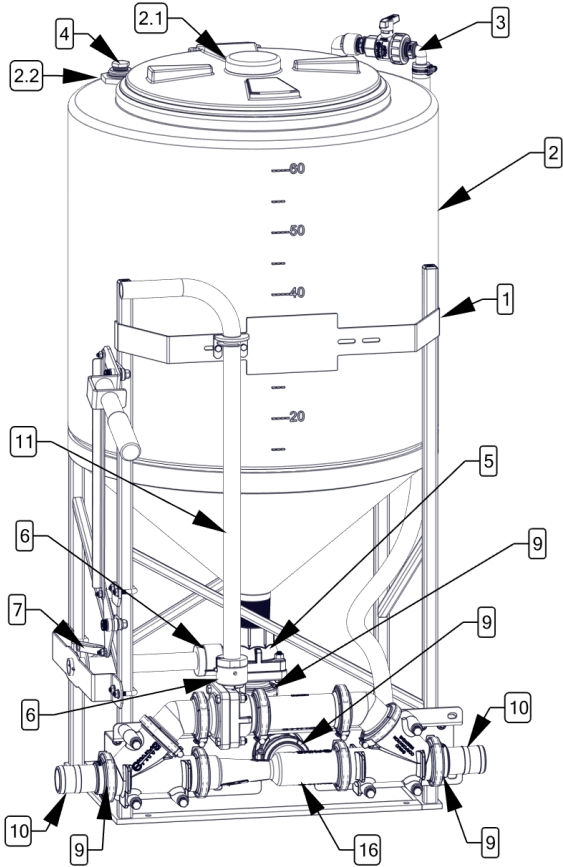
Ref. #	Part #	Description	Qty
1	5281631	40-65 Inductor Stand Assembly	1
2	5169353	65 Gallon Inductor Tank w/Fittings & Hinged Lid	1
2.1	62532	16" Hinged Lid	1
2.2	5273736	3/4" Double-Threaded Bulkhead Fitting	2
3	5281625	Eductor Wash Back Kit	1
4	5102071	Poly Pipe Plug, 3/4" MNPT	1
5	MVS220FP	Banjo 2" Full Port Stubby Valve, Flng x 2" NPT	1
6	V20153138	Banjo 2" Full Port x 1 3/8" Handle Riser	1
7	5281632	Inductor Lower Valve Handle Extension	1
8	5037976-PRF	Anti Vortex Plate	1

5281625: See Page 15 for parts breakdown

5281632: See Page 16 for parts breakdown

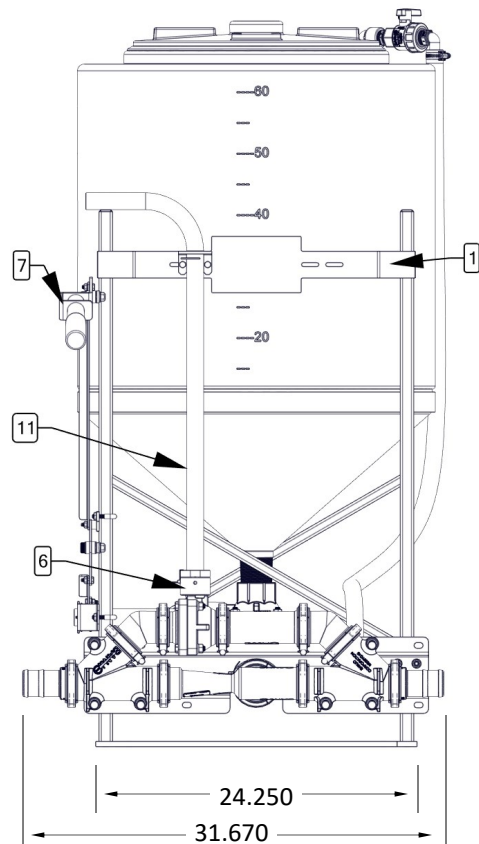
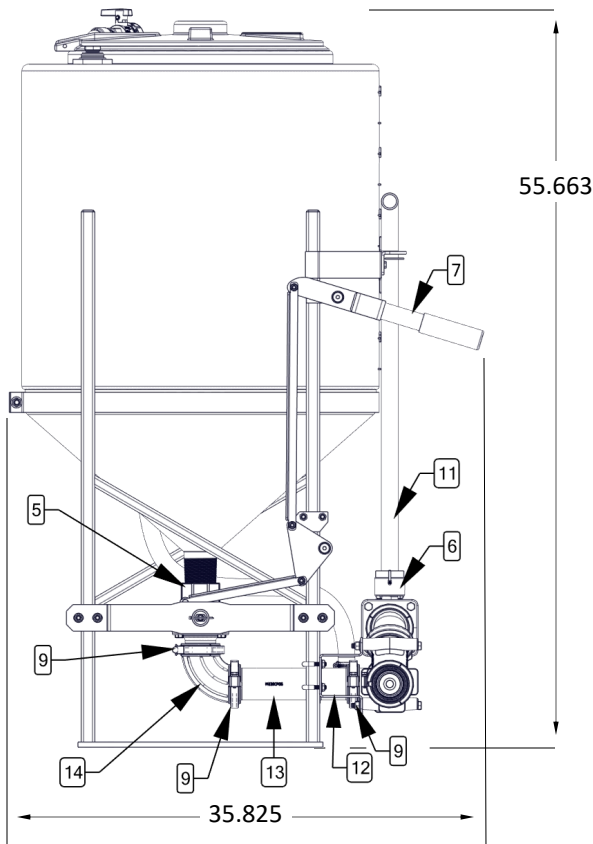


Breakdown - STS-652E (5281635)

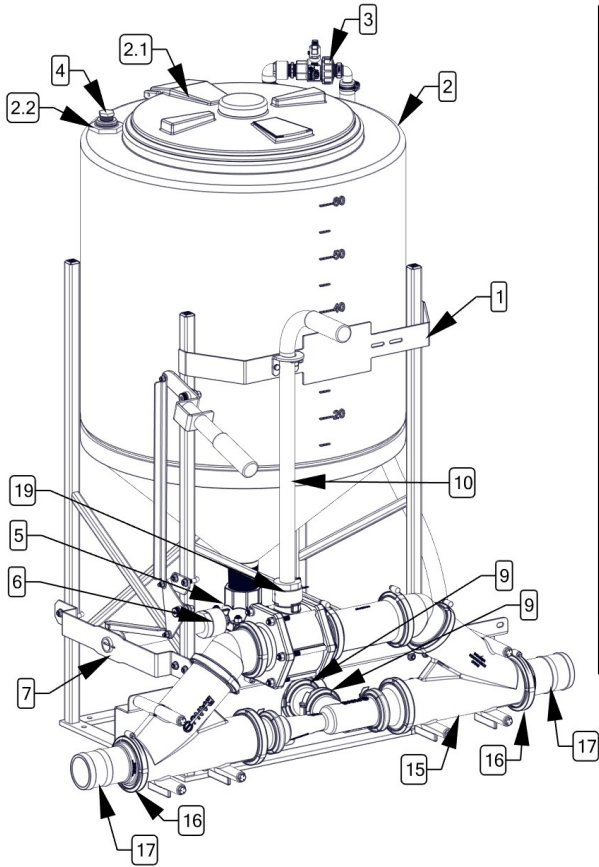


Ref. #	Part #	Description	Qty
1	5281631	40-65 Inductor Stand Assembly	1
2	5169353	65 Gallon Inductor Tank w/Fittings & Hinged Lid	1
2.1	62532	16" Hinged Lid	1
2.2	5273736	3/4" Double-Threaded Bulkhead Fitting	2
3	5281624	Eductor Wash Back Kit	1
4	5102071	Poly Pipe Plug, 3/4" MNPT	1
5	MVS220FP	Banjo 2" Full Port Stubby Valve, Flng x 2" NPT	1
6	V20153138	Banjo 2" Full Port x 1 3/8" Handle Riser	2
7	5281632	Inductor Lower Valve Handle Extension	1
8	5037976-PRF	Anti Vortex Plate	1
9	5051138	220 Series Manifold Flange Clamp - Worm Screw	6
10	5068012	Banjo 2" Full Port Coupling, 220 Flange x HB	2
11	5281629	Front Valve Mount & Handle Extension	1
12	M220CPG	2" x 2" Full Port Flange x 2 31/32	1
13	M220CPG6	Banjo 2" Full Port Manifold Coupling	1
14	M220SWP90	Banjo 2" Full Port Manifold Sweep Elbow - 90°	1
15	M221G	2" EPDM FP Manifold Gasket w/Rib	6
16	MIS220	Banjo 2" Full Port Manifold Inductor System	1

5281624: See Page 15 for parts breakdown
 5281629: See Page 15 for parts breakdown
 5281632: See Page 16 for parts breakdown
 MIS220: See Page 16 & 17 for parts breakdown



Breakdown - STS-653E (5281636)



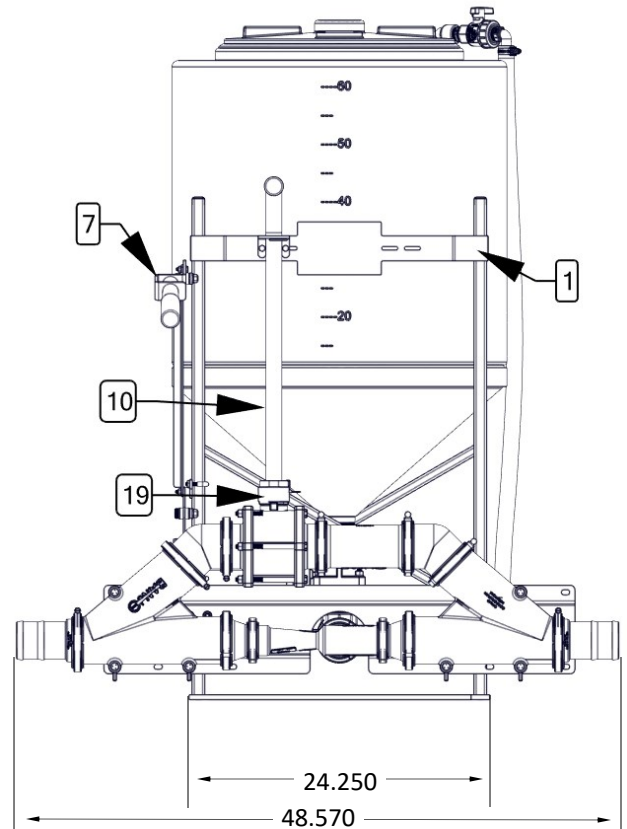
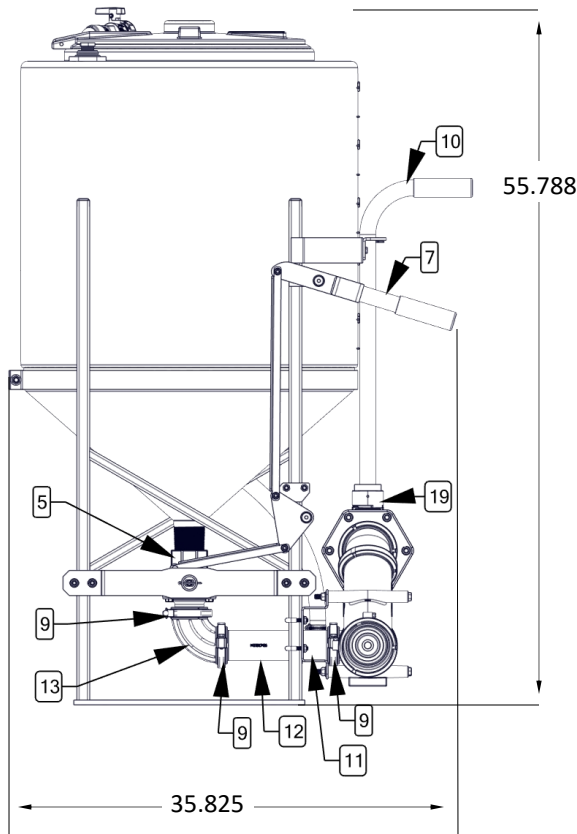
Ref. #	Part #	Description	Qty
1	5281631	40-65 Inductor Stand Assembly	1
2	5169353	65 Gallon Inductor Tank w/Fittings & Hinged Lid	1
2.1	62532	16" Hinged Lid	1
2.2	5273736	3/4" Double-Threaded Bulkhead Fitting	2
3	5281624	Eductor Wash Back Kit	1
4	5102071	Poly Pipe Plug, 3/4" MNPT	1
5	MVS220FP	Banjo 2" Full Port Stubby Valve, Flang x 2" NPT	1
6	V20153138	Banjo 2" Full Port x 1 3/8" Handle Riser	1
7	5281632	Inductor Lower Valve Handle Extension	1
8	5037976-PRF	Anti Vortex Plate	1
9	5051138	220 Series Manifold Flange Clamp - Worm Screw	4
10	5281630	Front Valve Mount & Handle Extension	1
11	M220CPG	2" x 2" Full Port Flange x 2 31/32	1
12	M220CPG6	Banjo 2" Full Port Manifold Coupling	1
13	M220SWP90	Banjo 2" Full Port Manifold sweep Elbow - 90°	1
14	M221G	2" EPDM FP Manifold Gasket w/Rib	4
15	MIS300	Banjo 3" Full Port Manifold Inductor System	1
16	BJFC300	300 Series Manifold Flange Clamp - Worm Screw	2
17	M300BRB	Banjo 3" Full Port Coupling, 300 Flange x HB	2
18	M301G	3" EPDM FP Manifold Gasket w/Rib	2
19	V25153138	Banjo 2" Full Port x 1 3/8" Handle Riser Offset	1

5281624: See Page 15 for parts breakdown

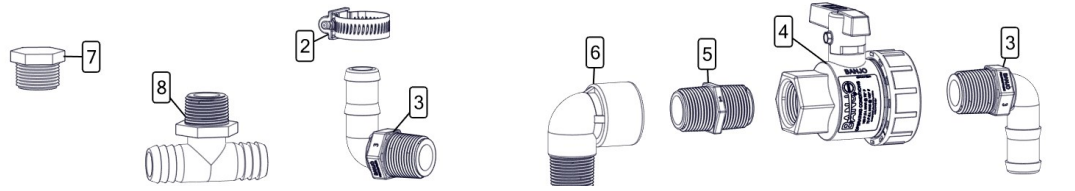
5281630: See Page 15 for parts breakdown

5281632: See Page 16 for parts breakdown

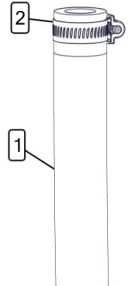
MIS300: See Page 16 for parts breakdown



Breakdown - Eductor Wash Back Kit (5281624 & 5281625)

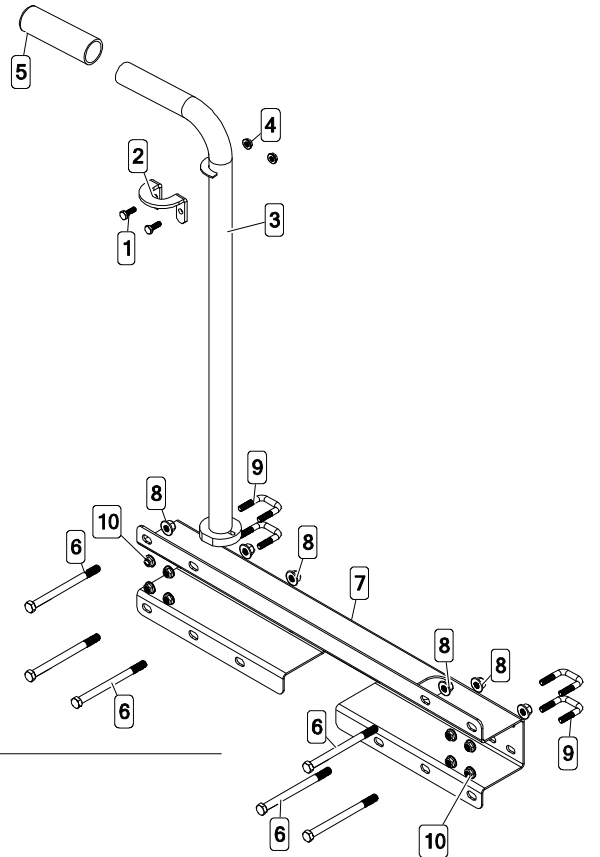


Ref. #	Part #	Description	5281624	5281625
1	5020174	Hose, 3/4"-1 Brd. x 6 Ft.	1	---
2	5051141	M12 Hose Clamp 1/2"-1 1/4"	2	---
3	5010333	3/4" MPT X 1" Hose Barb 90°	2	---
4	5143407	3/4" Union, Poly Ball Valve	1	1
5	5011200	3/4" MPT x 3/4" MPT Short Poly Pipe Nipple	1	1
6	5010296	3/4" MPT x 3/4" FPT Poly Street Elbow 90°	1	1
7	5102071	Poly Pipe Plug, 3/4" MNPT	1	1
8	3T34T	3/4" MPT x 3/4"HB x 3/4" HB Poly Tee	1	1

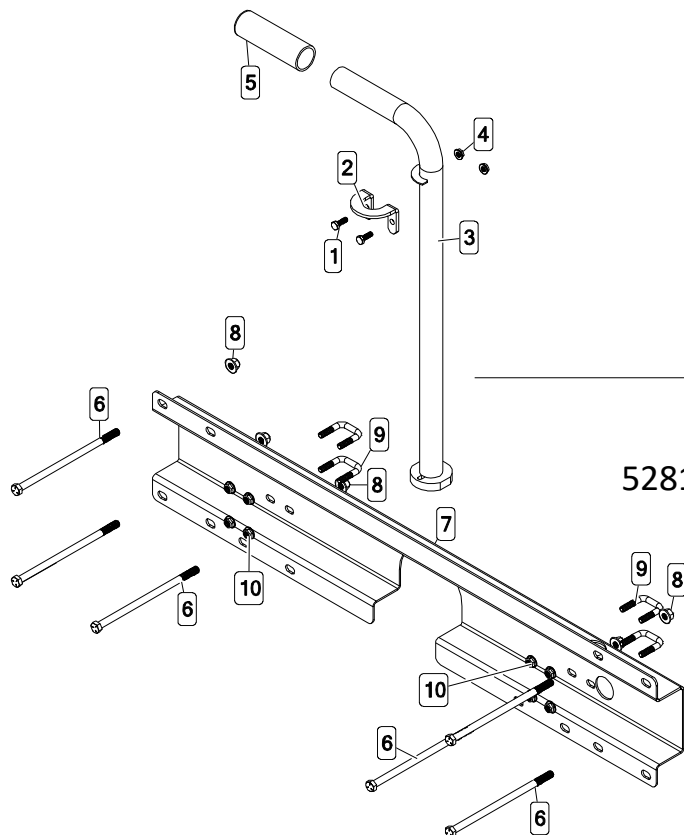


Breakdown - Front Valve Mount & Handle Extension (5281629 & 5281630)

Ref. #	Part #	Description	Qty
1	5034109	1/4-20 x 0.75 Hex Bolt	2
2	5038940	Valve Extension Bracket	1
3	5281626	Valve Handle Extension	1
4	5006306	1/4-20 Serrated Flange Hex Nut	2
5	5078824	Round Handle Grip	1
6	5034177	3/8-16 x 5.00 Hex Bolt	6
7	5095973	Valve Mount	1
8	5006345	3/8-16 Flanged Top-Lock Hex Nut	6
9	5034855	5/16-18 x 1.125 x 1.50 Square U-Bolt	4
10	5006307	5/16-18 Serrated Flange Hex Nut	8



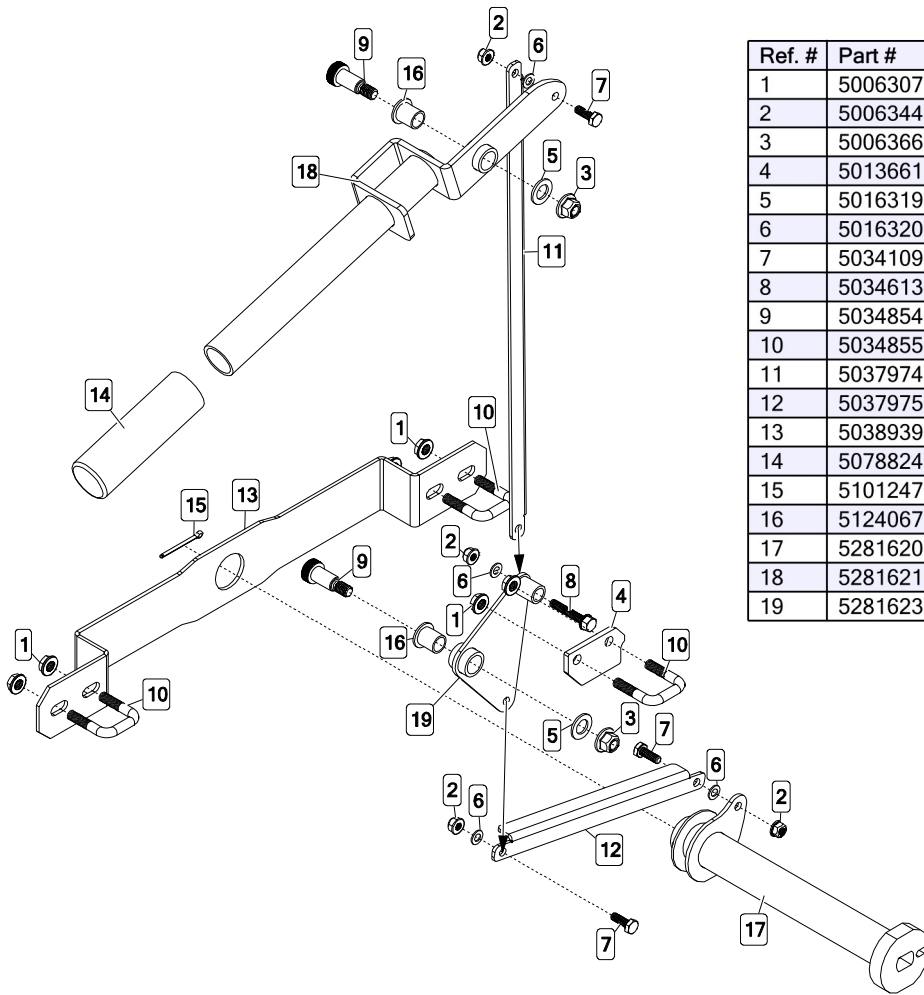
5281629



5281630

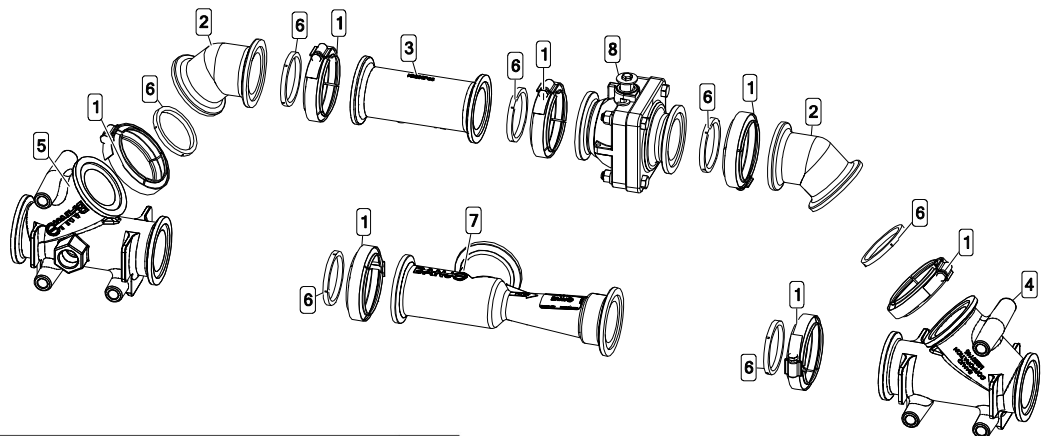
Ref. #	Part #	Description	Qty
1	5034109	1/4-20 x 0.75 Hex Bolt	2
2	5038940	Valve Extension Bracket	1
3	5281627	Valve Handle Extension	1
4	5006306	1/4-20 Serrated Flange Hex Nut	2
5	5078824	Round Handle Grip	1
6	5034853	3/8-16 x 7.50 Hex Bolt	6
7	5095974	Valve Mount	1
8	5006345	3/8-16 Flanged Top-Lock Hex Nut	6
9	5034855	5/16-18 x 1.125 x 1.50 Square U-Bolt	4
10	5006307	5/16-18 Serrated Flange Hex Nut	8

Breakdown - Inductor Lower Valve Handle Extension (5281632)



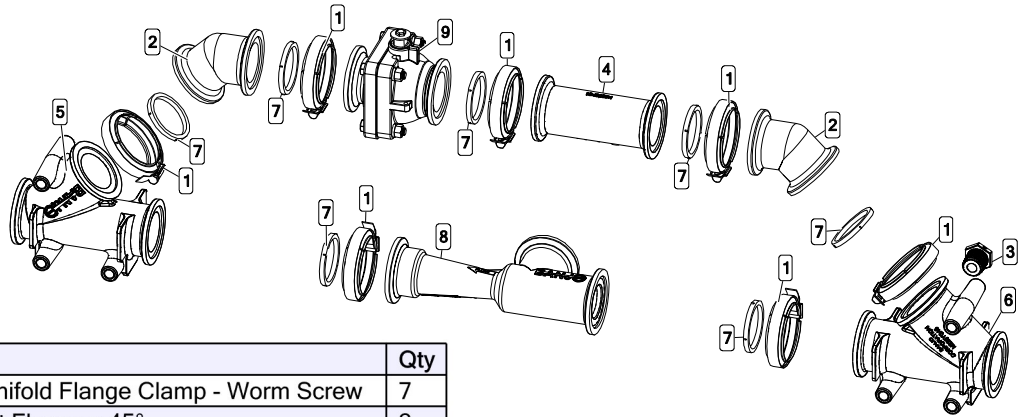
Ref. #	Part #	Description	Qty
1	5006307	5/16-18 Serrated Flange Hex Nut	6
2	5006344	1/4-20 Flanged Top-Lock Hex Nut	4
3	5006366	3/8-16 Flanged Top-Lock Hex Nut	2
4	5013661	Stop Plate	1
5	5016319	1/2" Dia. UHMW Washer	2
6	5016320	1/4" Dia. UHMW Washer	4
7	5034109	1/4-20 x 0.75 Hex Bolt	3
8	5034613	1/4-20 x 1.50 Flanged Hex Bolt	1
9	5034854	3/8 - 16 X .875 Socket Head Shoulder Screw	2
10	5034855	5/16-18 x 1.125 x 1.50 Square U-Bolt	3
11	5037974	Link	1
12	5037975	Link	1
13	5038939	Handle Extension Bracket	1
14	5078824	Round Handle Grip	1
15	5101247	Cotter Pin, 1/8" X 1.50"	1
16	5124067	Flanged Sleeve Bearing - 1/2" ID x 5/8" OD	2
17	5281620	Valve Handle Extension	1
18	5281621	Valve Handle	1
19	5281623	Pivot Link	1

Breakdown - (LH) 2" Full Port Manifold Inductor System (MIS220)



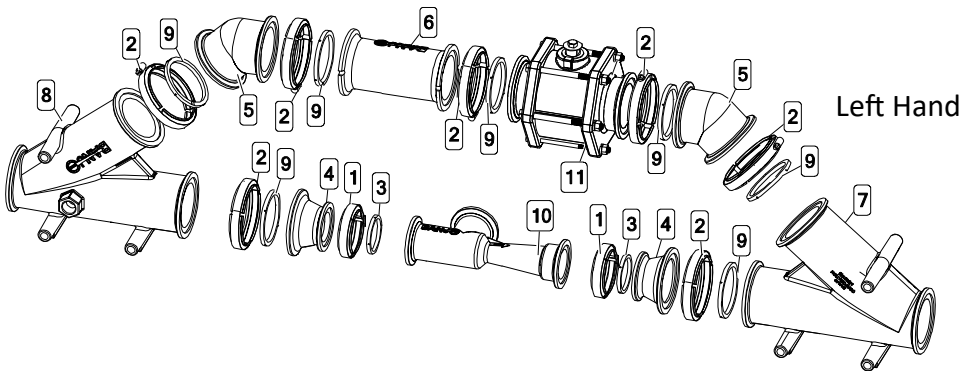
Ref. #	Part #	Description	Qty
1	5051138	220 Series Manifold Flange Clamp - Worm Screw	7
2	5057208	2" x 2" Full Port Flange x 45°	2
3	M220CPG6	Banjo 2" Full Port Manifold Coupling	1
4	M220Y45	Banjo 2" Full Port Manifold WYE 45°	1
5	M220YG45	Banjo 2" Full Port Manifold WYE 45° w/Gauge Port	1
6	M221G	2" EPDM Full Port Manifold Gasket w/Rib	7
7	MHV220A	Banjo 2" Full Port Venturi Assembly	1
8	MVS220CF	Banjo 2" Full Port Flange Stubby Valve	1

Breakdown - (RH) 2" Full Port Manifold Inductor System (MIS220)

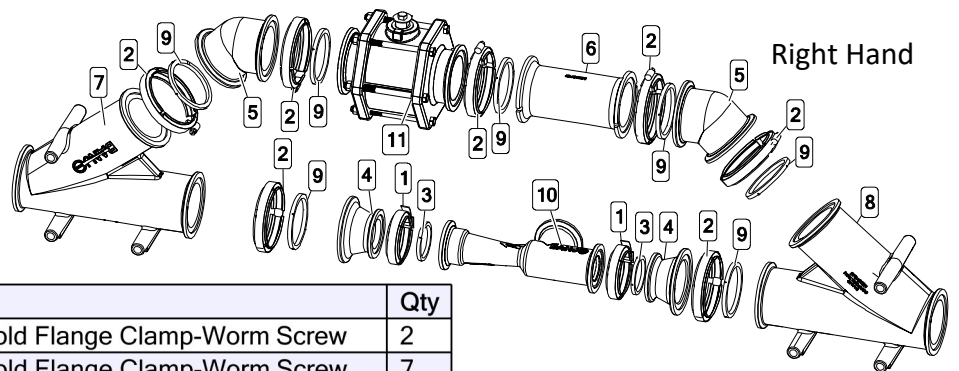


Ref. #	Part #	Description	Qty
1	5051138	220 Series Manifold Flange Clamp - Worm Screw	7
2	5057208	2" x 2" Full Port Flange x 45°	2
3	5102098	Banjo 3/4" Pipe Plug (Poly)	1
4	M220CPG6	Banjo 2" Full Port Manifold Coupling	1
5	M220Y45	Banjo 2" Full Port Manifold WYE 45°	1
6	M220YG45	Banjo 2" Full Port Manifold WYE 45° w/Gauge Port	1
7	M221G	2" EPDM Full Port Manifold Gasket w/Rib	7
8	MHV220A	Banjo 2" Full Port Venturi Assembly	1
9	MVS220CF	Banjo 2" Full Port Flange Stubby Valve	1

Breakdown - (LH & RH) 3" Full Port Manifold Inductor System (MIS300)

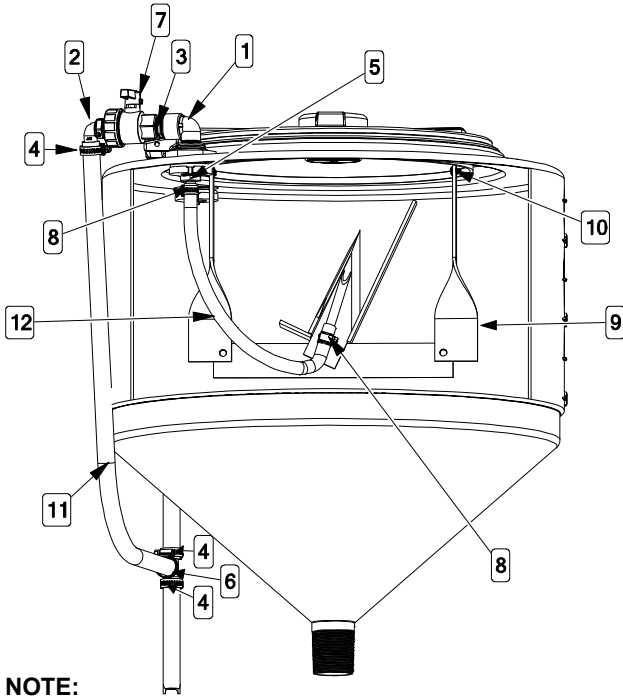


Right Hand & Left Hand
have same parts, just
different configuration.



Ref. #	Part #	Description	Qty
1	5051138	220 Series Manifold Flange Clamp-Worm Screw	2
2	BJFC300	300 Series Manifold Flange Clamp-Worm Screw	7
3	M221G	2" EPDM Full Port Manifold Gasket w/Rib	2
4	M300220CPG	Banjo M300 x M220 Flanged Coupling	2
5	M300CPG45	Banjo 3" Full Port 45° Manifold Coupling	2
6	M300CPG7	Banjo 3" Manifold Coupling x 7"	1
7	M300Y45	Banjo 3" Full Port Manifold WYE 45°	1
8	M300YG45	Banjo 3" Full Port Manifold WYE 45° w/Gauge Port	1
9	M301G	3" EPDM Full Port Manifold Gasket w/Rib	7
10	MHV220A	Banjo 2" Full Port Venturi Assembly	1
11	MV301CF	Banjo 3" Full Port Manifold Valve	1

Breakdown - STS Slicer Kit (5281702)



NOTE:
Cut Rinse Line and
Splice in Tee this
Location.

Ref. #	Part #	Description	Qty
1	5010296	3/4" MPT x 3/4" FPT Poly Street Elbow 90°	1
2	5010333	3/4" MPT X 1" Hosebarb 90°	1
3	5011200	3/4" MPT x 3/4" MPT Short Poly Pipe Nipple	1
4	5051141	M12 Hose Clamp 1/2"-1 1/4"	4
5	5067125	Poly Fitting, 3/4" MNPT x 1/2" HB	1
6	5086030	Poly Hose Tee, 3/4" HB	1
7	5143407	3/4" Union, Poly Ball Valve	1
8	M6W	5/16 SS Hose Clamp 1/2" Band	2
9	Slicer-2	Chem Container Knife Only HCW-01W	1
10	STS1012	#10 x 1/2" Self Tapping Screw	4
11	EPDM34	3/4" - 200 PSI EPDM Spray Hose	5
12	EVA12-1	1/2" x 1/8" Wall EVA Tubing	3

⚠ WARNING

SHARP OBJECT HAZARD, KEEP AWAY.

To prevent serious injury or death from sharp object:

- Keep hand out of tank.
- Do not puncture or cut hands or arms.
- Keep lid closed when not using.

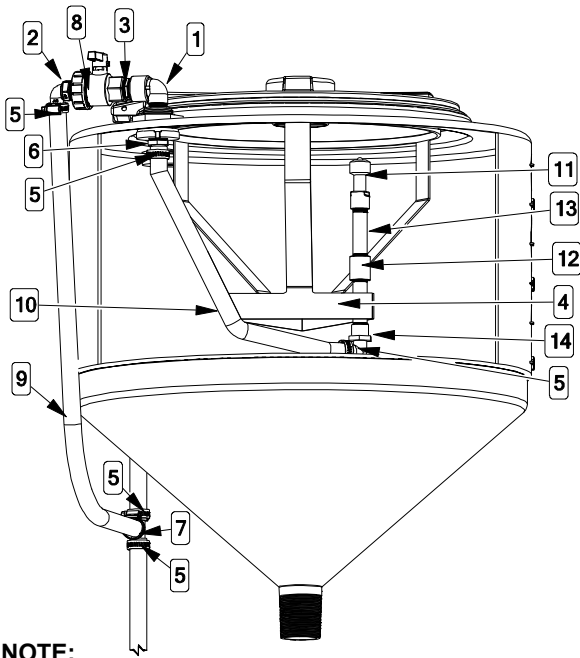
⚠ CAUTION

SHARP EDGES
USE EXTREME
CAUTION

Installation Instructions for STS Slicer Kit:

1. Remove STS Inductor Tank Lid, you will need a phillips head screwdriver.
2. Remove the plug from the Jug rinse tank fitting, already installed in tank.
3. Install #5 hose barb fitting on inside of tank.
4. Install Shutoff valve assembly #1, 3, 7 & 2 onto jug rinse fitting.
5. Connect hose to #5 hose barb fitting and tighten clamp.
6. Insert slicer assembly and secure slicer to the tank lip with #10 self tapping screws.
7. Connect hose to slicer rinse and tighten clamp.
8. Reinstall tank lid.
9. Cut STS tank rise hose and install #6 hose barb tee.
10. Install hose from jug rinse valve assembly to tank rinse line, tighten hose clamps to complete.

Breakdown - STS Jug Rinse (5281703)



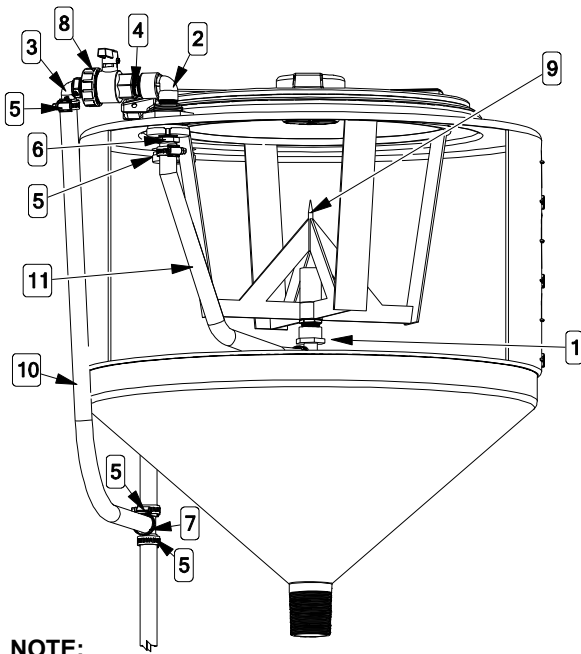
NOTE:
Cut Rinse Line and
Splice in Tee this
Location.

Ref. #	Part #	Description	Qty
1	5010296	3/4" MPT X 3/4" FPT Poly Street Elbow 90°	1
2	5010333	3/4" MPT X 1" Hosebarb 90°	1
3	5011200	3/4" MPT X 3/4" MPT Short Poly Pipe Nipple	1
4	5038927	Inductor Rinse Bracket Weldment for 16" Lid	1
5	5051141	M12 Hose Clamp 1/2"-1 1/4"	6
6	5067127	Poly Fitting, 3/4" MNPT x 3/4" HB	1
7	5086030	Poly Hose Tee, 3/4" HB	1
8	5143407	3/4" Union, Poly Ball Valve	1
9	EPDM34	3/4" - 200 PSI EPDM Spray Hose	5
10	EVA34	3/4" x 1/8" Wall EVA Tubing	2
11	PC1_2F-36075	Proclean Container Nozzle	1
12	SSFC12	1/2" Female Coupling 304 Stainless Steel	1
13	SSM12X4	1/2" X 4" Nipple 304 Stainless Steel	1
14	TEF20812PP	1/2" FPT X 3/4" HB ELBOW - 90 POLY	1

Installation Instructions for STS Jug Rinse Kit:

1. Remove STS Inductor Tank Lid, you will need a phillips head screwdriver.
2. Remove the plug from the Jug rinse tank fitting, already installed in tank.
3. Install #6 hose barb fitting on inside of tank.
4. Install Shutoff valve assembly #1, 3, 8 & 2 onto jug rinse fitting.
5. Connect hose to #6 hose barb fitting and tighten clamp.
6. Assemble Jug Rinse Nozzle fittings #11, 13, 12 & 14 onto Jug Rinse Assembly.
7. Insert jug rinse assembly in tank so the tabs rest on the top of the tank.
8. Connect hose to STS jug rinse assembly and tighten clamp.
9. Reinstall tank lid so the STS Jug Rinse Assembly tabs are between the tank and the lid ring.
10. Cut STS tank rise hose and install #7 hose barb tee.
11. Install hose from jug rinse valve assembly to tank rinse line, tighten hose clamps to complete.

Breakdown - STS Jug Puncher Kit (5281704)



Ref. #	Part #	Description	Qty
1	5010221	3/4" FPT X 3/4" Hose Barb Elbow - 90° Poly	1
2	5010296	3/4" MPT X 3/4" FPT Poly Street Elbow, 90°	1
3	5010333	3/4" MPT X 1" Hosebarb, 90°	1
4	5011200	3/4" MPT X 3/4" MPT Short Poly Pipe Nipple	1
5	5051141	M12 Hose Clamp 1/2"-1 1/4"	6
6	5067127	Poly Fitting, 3/4" MNPT x 3/4" HB	1
7	5086030	Poly Hose Tee, 3/4" HB	1
8	5143407	3/4" Union, Poly Ball Valve	1
9	85-HKNIFEKIT	STS Inductor Knife Insert Jug Rinse for 16" Lid	1
10	EPDM34	3/4" - 200 PSI EPDM Spray Hose	5
11	EVA34	3/4" x 1/8" Wall Eva Tubing	2

NOTE:
Cut Rinse Line and
Splice in Tee this
Location.

⚠ WARNING

SHARP OBJECT HAZARD, KEEP AWAY.

To prevent serious injury or death from sharp object:

- Keep hand out of tank.
- Do not puncture or cut hands or arms.
- Keep lid closed when not using.

Installation Instructions for STS Jug Puncher Kit:

1. Remove STS Inductor Tank Lid, you will need a phillips head screwdriver.
2. Remove the plug from the Jug rinse tank fitting, already installed in tank.
3. Install #6 hose barb fitting on inside of tank.
4. Install Shutoff valve assembly #2, 4, 8 & 3 onto jug rinse fitting.
5. Connect hose to #6 hose barb fitting and tighten clamp.
6. Insert STS Jug Puncher assembly in tank so the ring rests on the top of the tank.
7. Connect hose to STS Jug Puncher assembly and tighten clamp.
8. Reinstall tank lid so the STS Jug Puncher Assembly ring is between the tank and the lid ring. Position the Lid Ring and Puncher assembly so the screw holes match up.
9. Cut STS tank rise hose and install #7 hose barb tee.
10. Install hose from jug rinse valve assembly to tank rinse line, tighten hose clamps to complete.

⚠ CAUTION

SHARP EDGES
USE EXTREME
CAUTION

Notes:

Warranty

LIMITED WARRANTY FOR NEW AG SPRAY EQUIPMENT

WHO MAY USE THIS LIMITED WARRANTY. This limited warranty (the "Limited Warranty") is provided by Ag Spray Equipment to the original purchaser ("you") of the Equipment (as defined below) from Ag Spray Equipment or one of Ag Spray Equipment's authorized dealers. This Limited Warranty does not apply to any subsequent owner or other transferee of the Equipment. THIS LIMITED WARRANTY GIVES YOU SPECIFIC LEGAL RIGHTS, AND YOU MAY ALSO HAVE OTHER RIGHTS WHICH VARY FROM STATE TO STATE.

WHAT THIS LIMITED WARRANTY COVERS AND FOR HOW LONG. Ag Spray Equipment warrants that any new Equipment will be free from defects in material and workmanship for a period of **one (1) year** (homeowner), **90 days** (commercial user), after delivery of the Equipment to you (the "Warranty Period"). The Warranty Period is not extended if Ag Spray Equipment repairs or replaces the Equipment.

WHAT IS NOT COVERED BY THIS LIMITED WARRANTY. This Limited Warranty does not apply to: (1) used Equipment; (2) any Equipment that has been altered, changed, repaired or treated since its delivery to you, other than by Ag Spray Equipment or its authorized dealers; (3) damage or depreciation due to normal wear and tear; (4) defects or damage due to failure to follow Ag Spray Equipment's operator's manual, specifications or other written instructions, or improper storage, operation, maintenance, application or installation of parts; (5) defects or damage due to misuse, accident or neglect, "acts of God" or other events beyond Ag Spray Equipment's reasonable control; (6) accessories, attachments, tools or parts that were not manufactured by Ag Spray Equipment, whether or not sold or operated with the Equipment; or (7) rubber parts, such as tires, hoses and grommets.

HOW TO OBTAIN WARRANTY SERVICE. To obtain warranty service under this Limited Warranty, you must (1) provide written notice to Ag Spray Equipment of the defect during the Warranty Period and within **thirty (30)** days after the defect becomes apparent or the repair becomes necessary, at the following address: Ag Spray Equipment, 1000 Fimco Lane, North Sioux City, SD 57049; and (2) make the Equipment available to Ag Spray Equipment or an authorized dealer within a reasonable period of time. For more information about this Limited Warranty, please call: **800-274-1025** or your local Ag Spray location.

WHAT REMEDIES ARE AVAILABLE UNDER THIS LIMITED WARRANTY. If the conditions set forth above are fulfilled and the Equipment or any part thereof is found to be defective, Ag Spray Equipment shall, at its own cost, and at its option, either repair or replace the defective Equipment or part. Ag Spray Equipment will pay for shipping and handling fees to return the repaired or replacement Equipment or part to you.

LIMITATION OF IMPLIED WARRANTIES AND OTHER REMEDIES. THE REMEDIES DESCRIBED ABOVE ARE YOUR SOLE AND EXCLUSIVE REMEDIES, AND AG SPRAY EQUIPMENT'S SOLE LIABILITY, FOR ANY BREACH OF THIS LIMITED WARRANTY. TO THE EXTENT APPLICABLE, ANY IMPLIED WARRANTIES, INCLUDING, WITHOUT LIMITATION, THE IMPLIED WARRANTIES OF MERCHANTABILITY AND FITNESS FOR A PARTICULAR PURPOSE, SHALL BE LIMITED IN DURATION TO THE WARRANTY PERIOD, AND THE REMEDIES AVAILABLE FOR BREACH THEREOF SHALL BE LIMITED TO THE REMEDIES AVAILABLE UNDER THIS EXPRESS LIMITED WARRANTY. SOME STATES DO NOT ALLOW LIMITATIONS ON HOW LONG AN IMPLIED WARRANTY LASTS, SO THE ABOVE LIMITATION MAY NOT APPLY TO YOU. IN NO EVENT SHALL AG SPRAY EQUIPMENT'S LIABILITY UNDER THIS LIMITED WARRANTY EXCEED THE ACTUAL AMOUNT PAID BY YOU FOR THE DEFECTIVE EQUIPMENT, NOR SHALL AG SPRAY EQUIPMENT BE LIABLE, UNDER ANY CIRCUMSTANCES, FOR ANY CONSEQUENTIAL, INCIDENTAL, SPECIAL OR PUNITIVE DAMAGES OR LOSSES, WHETHER DIRECT OR INDIRECT. SOME STATES DO NOT ALLOW THE EXCLUSION OR LIMITATION OF INCIDENTAL OR CONSEQUENTIAL DAMAGES, SO THE ABOVE LIMITATION OR EXCLUSION MAY NOT APPLY TO YOU.